



**868/915MHz DIRECTIONAL
OUTDOOR ANTENNA**

**TECHNICAL DATA SHEET
TX900-PB-4545**

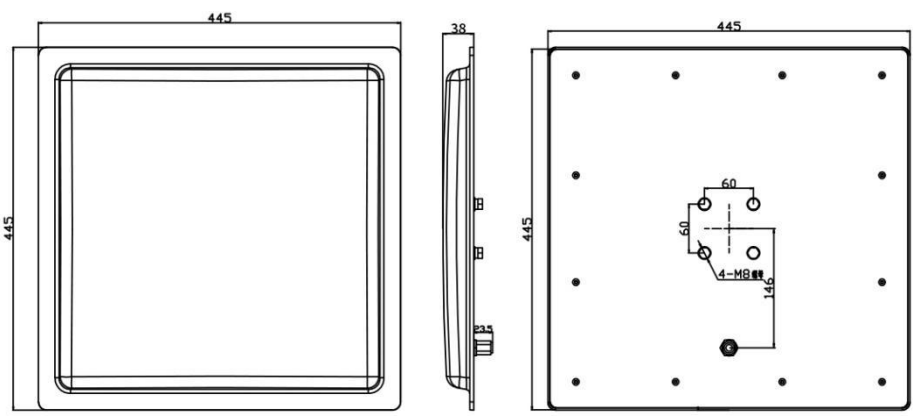




TX900-PB-4545

NO.	MECHANICAL SPECIFICATIONS	VALUE	COMMENT
01	Part Number	TX900-PB-4545	Directional Antenna
02	Material	ABS	
03	Radiation Material	Aluminum	
04	Connector Type	N Female	
05	Antenna Colour	White	
06	Overall Length	445*445*38mm	
07	Protection Grade	IP54	
08	Axial Ratio	≤3	
09	Mounting Pole Diameter	φ40-φ70mm	
10	G.W	2.75kg	±10g
11	N.W including bracket	3.7g	±10g
NO.	ELECTRICAL SPECIFICATIONS	VALUE	COMMENT
01	Frequency	868/915MHz	830-980MHz
02	Antenna Gain	14dBi	
03	Radiation type	Directional	
04	Polarization	Circular	
05	Horizontal Beamwidth	40 Deg	±5Deg
06	Vertical Beamwidth	40 Deg	±3Deg
07	Nominal Impedance	50Ω	
08	Max Input Power	50W	
09	S.W.R.	≤1.5	
NO.	ENVIRONMENTAL SPECIFICATIONS	VALUE	COMMENT
01	Operation Temperature	-40°C ~ +55°C	
02	Storage Temperature	-40°C ~ +55°C	
03	RoHS Compliant	YES	

MECHANICAL DRAWING



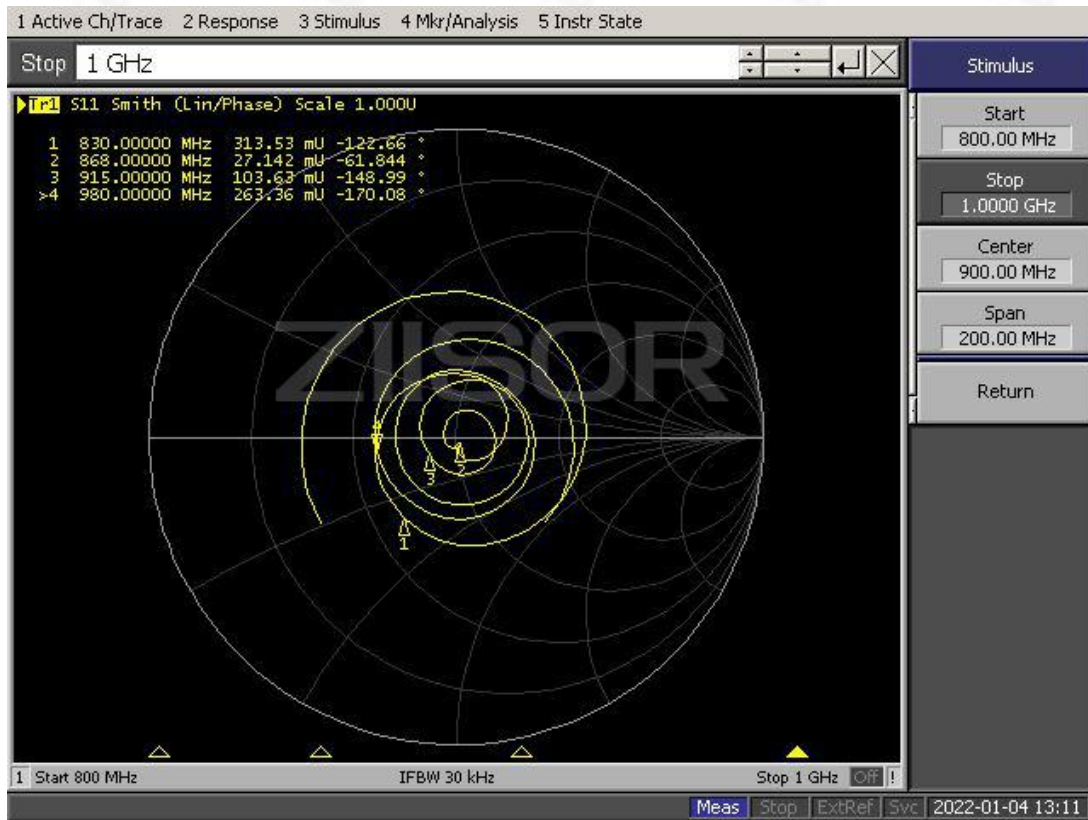
UNIT: mm

ITEM	PART NAME	QUANTITY	MATERIAL / FINISH
a	Connector	1	N Female
b	Shell	1	ABS

S.W.R.



SMITH



About us

Technical support: support@cdebyte.com

Documents and RF Setting download link: www.ebyte.com

Thank you for using Ebyte products! Please contact us with any questions or suggestions: info@cdebyte.com

Fax: 028-64146160 ext. 821

Web: www.ebyte.com

Address: Innovation Center D347, 4# XI-XIN Road, Chengdu, Sichuan, China

 **Chengdu Ebyte Electronic Technology Co.,Ltd.**