



TXGB-BLG-20 User Manual

GPS+Beidou Positioning Outdoor

Omnidirectional Fiberglass N-J Connector



Contents

Disclaimer.....	2
1 Introduction.....	3
2 Parameters.....	3
3 Antenna features.....	4
4 FAQ.....	5
About us.....	5

Disclaimer

EBYTE reserves all rights to this document and the information contained herein. Products, names, logos and designs described herein may in whole or in part be subject to intellectual property rights. Reproduction, use, modification or disclosure to third parties of this document or any part thereof without the express permission of EBYTE is strictly prohibited.

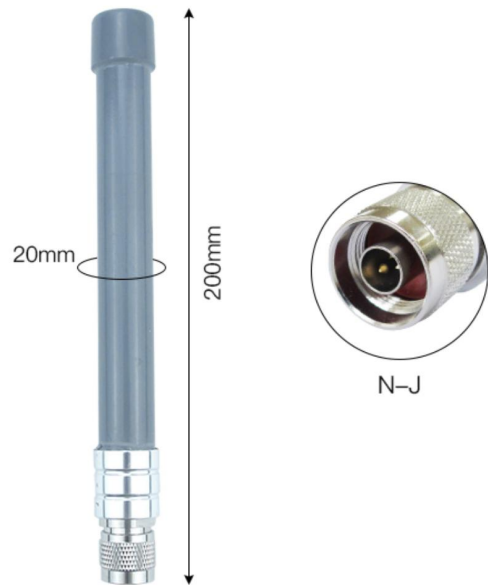
The information contained herein is provided “as is” and EBYTE assumes no liability for the use of the information. No warranty, either express or implied, is given, including but not limited, with respect to the accuracy, correctness, reliability and fitness for a particular purpose of the information. This document may be revised by EBYTE at any time. For most recent documents, visit www.ebyte.com.

1 Introduction

TXGB-BLG-20 is a fiberglass positioning antenna of 1575MHz frequency band, which supports GPS and Beidou positioning. Its length is 200mm with N-J interface. The antenna housing is made of glass fiber material and contains multiple antenna oscillators, which has the advantages of high gain and long communication distance. It is water-proof, sun-proof, wind-proof and hermetic, which can be widely used in the wild and bad environment. Because of the high stability and reliability of FRP antenna, it can also be used in wireless terminal equipment, base station, gateway, wireless module, AP, router, wireless modem and other places with high requirements.

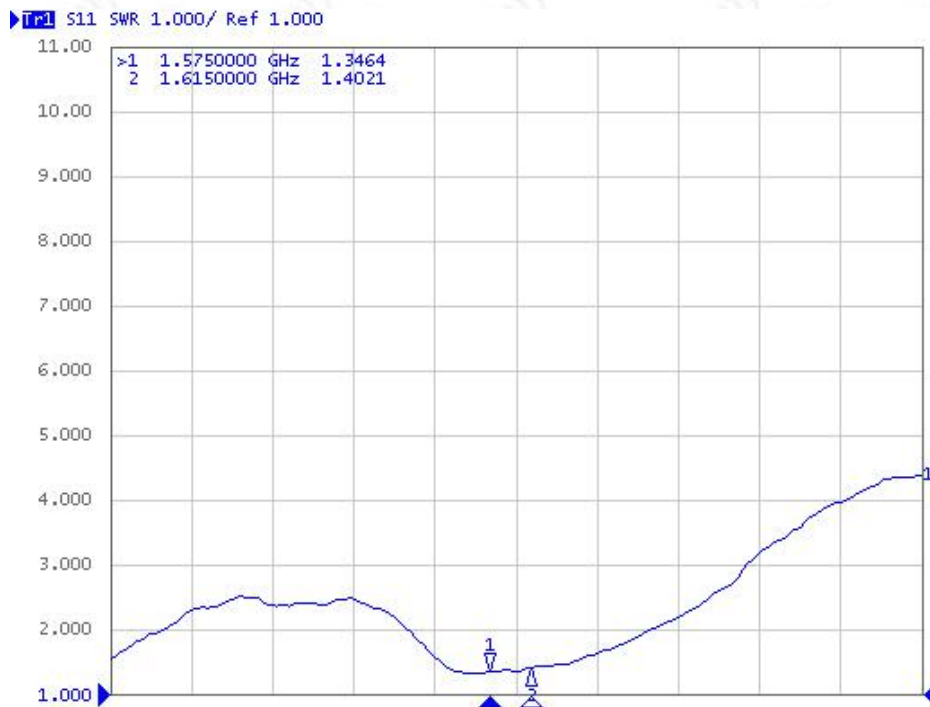
2 Parameters

Electrical parameters	
Center frequency	1575MHz
Antenna bandwidth	GPS+Beidou
Antenna gain	8dBi
Voltage standing wave ratio	≤2.0
Polarization direction	Vertical polarization
Radiation direction	Omnidirectional
Input resistance	50Ω
Power capacity	100W
Other parameters	
Product size	200mm
Weight	90g
Antenna Diameter	Φ20mm
Material	Fiberglass
Connector	N-J
Operating temp.	-40°C~+85°C
Storage temp.	-40°C~+85°C

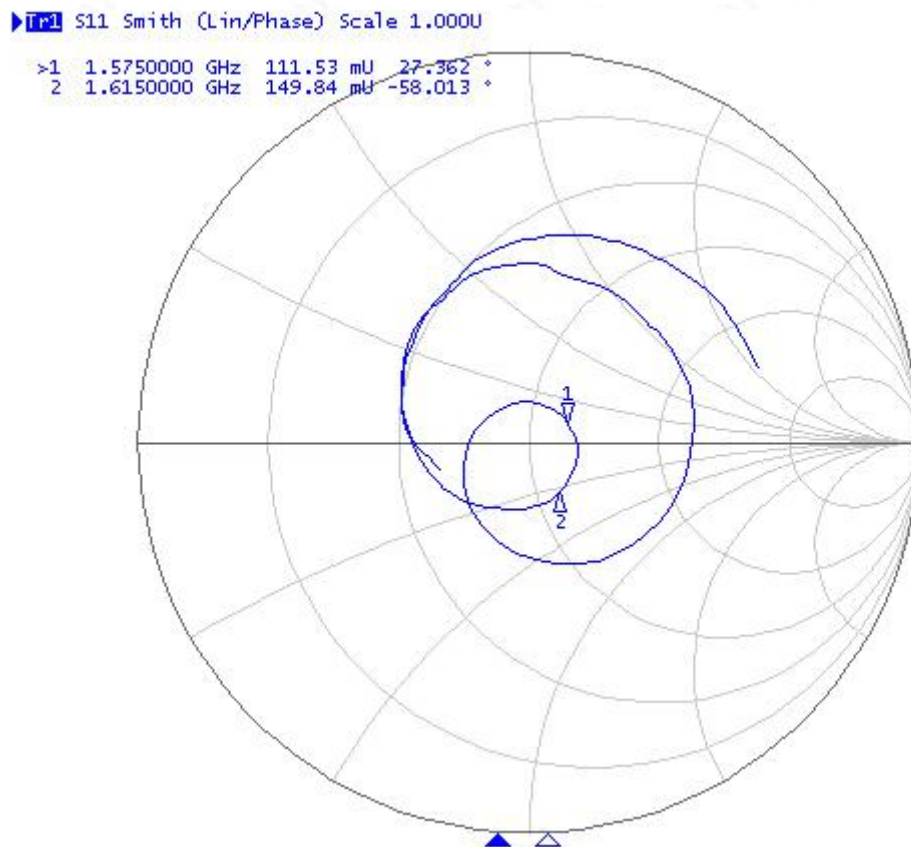


3 Antenna features

VSWR



Smith Chart



4 FAQ

- The antenna frequency must match the frequency of the wireless device, otherwise the communication effect will be poor;
- The lower the communication frequency and the longer the wavelength, the better the diffraction performance;
- When there is a straight-line communication obstacle, the communication distance will be attenuated accordingly;
- Please pay attention to the antenna radiation direction, the incorrect installation direction of the antenna leads to a short transmission distance;
- The ground absorbs radio waves, and the test result near the ground is poor. It is recommended to increase the height;
- Sea water has a strong ability to absorb radio waves, so the seaside test results are not good;
- If there is a metal object near the antenna or placed in a metal shell, the signal attenuation will be very serious;
- The poor impedance matching between the antenna and the communication device will lead to poor communication effects.

About us

Technical support: support@cdebyte.com

Documents and RF Setting download link: www.ebyte.com

Thank you for using Ebyte products! Please contact us with any questions or suggestions: info@cdebyte.com

Phone: +86 028-61399028

Web: www.ebyte.com

Address: B5 Mould Park, 199# Xiqu Ave, High-tech District, Sichuan, China

 **Chengdu Ebyte Electronic Technology Co.,Ltd.**