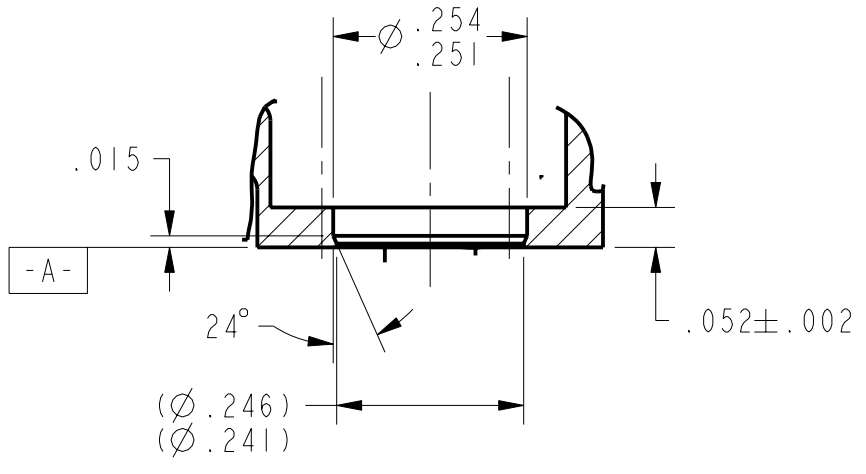
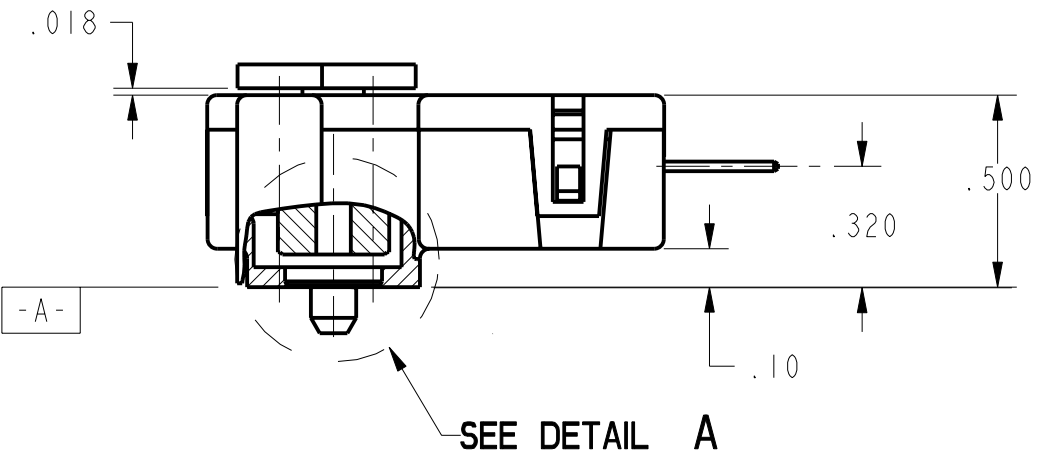
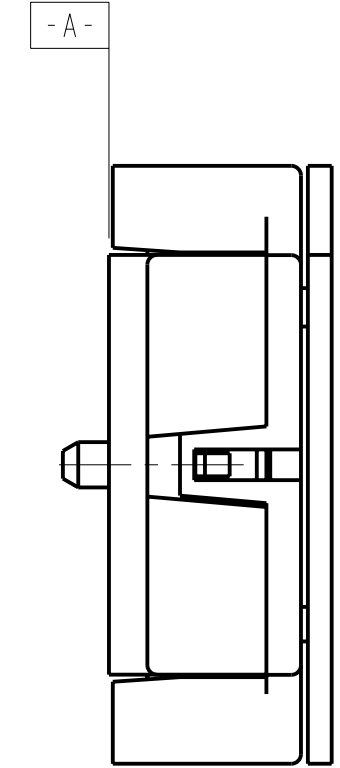
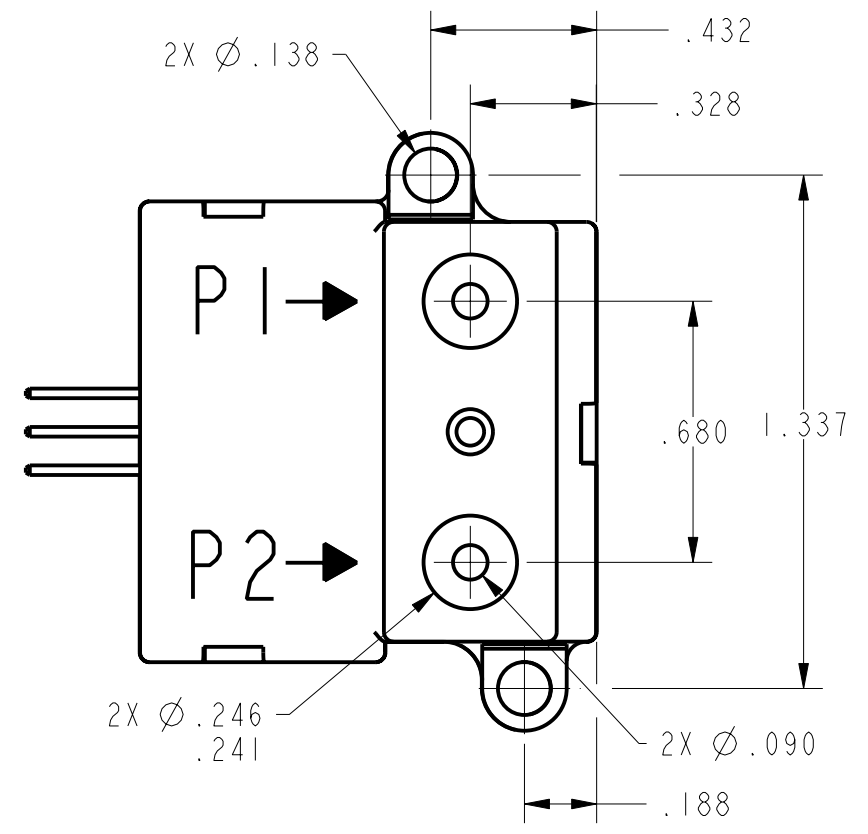
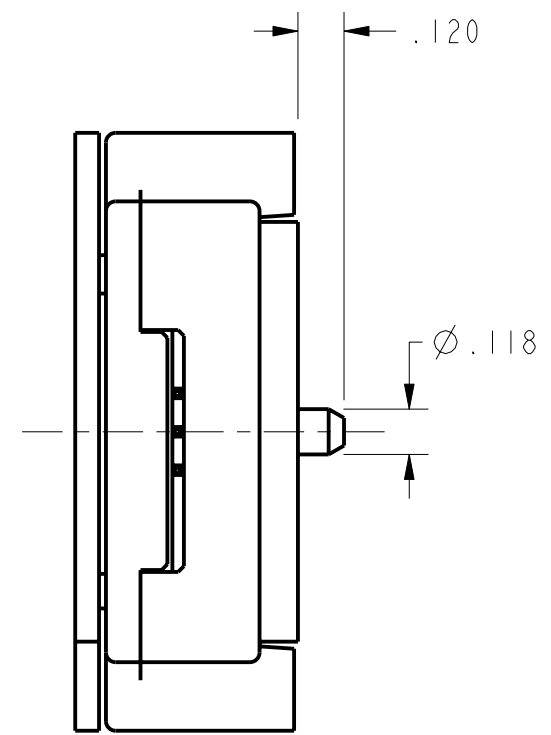


OUTPUT CONNECTIONS  
 1 - OUTPUT  
 2 - SUPPLY  
 3 - GROUND



DETAIL A  
 SCALE 4:1

CATALOG LISTING: AWM43300VH

ELECTRICAL SPECIFICATIONS	MIN	NOM	MAX	UNITS	NOTES
RECOMMENDED EXCITATION	9.990	10.000	10.010	V <sub>dc</sub>	
POWER SUPPLY (MIN/MAX)	8.000	---	15.000	V <sub>dc</sub>	
POWER CONSUMPTION	---	---	60	mW	
OUTPUT LOADING	SINK 10 mA SOURCE 20 mA				
CALIBRATION GAS	NITROGEN				
NULL OUTPUT SHIFT:					
-25°C TO +85°C	---	---	±.025	V <sub>dc</sub>	
FULL SCALE OUTPUT SHIFT:					
-25°C TO +25°C	---	---	-5.0	% READ	
+25°C TO +85°C	---	---	+6.0	% READ	
RATIOMETRICITY ERROR	---	±.3	---	% READ	(TYPICAL)
REPEATABILITY & HYSTERESIS	---	---	±.5	% READ	(1)
RESPONSE TIME	---	1.0	---	msec	
FLOW SPECIFICATIONS	FLOW	NOMINAL	±TOL		
	(Sccm)	(V <sub>dc</sub> )	(V <sub>dc</sub> )		
	1000	5.000	0.15		
	900	4.970	0.16		
	800	4.885	0.17		
	700	4.775	0.18		
	600	4.630	0.19		
	500	4.430	0.20		
	400	4.155	0.21		
	300	3.760	0.19		
	200	3.225	0.17		
	100	2.485	0.14		
	0	1.000	0.05		
MECHANICAL SPECIFICATION	SPECIFICATION LIMITS				
PRESSURE DROP @ FULL SCALE	1.02 IN. H <sub>2</sub> O TYP				
TEMPERATURE RANGE					
OPERATING	-25 TO +85°C				
OVERPRESSURE	150 PSI				
MAXIMUM ALLOWABLE RATE OF FLOW CHANGE THROUGH SENSOR TO PREVENT DAMAGE 5LPM/SEC					
NOTES: 1 - REPEATABILITY & HYSTERESIS TOLERANCES REFLECT INHERENT INACCURACIES OF THE MEASUREMENT EQUIPMENT					

AWM43300VH  
 DRAWING NUMBER  
 1  
 P.T.C./CAD  
 T.S.M.  
 24 OCT 00  
 CHECK  
 S.A.V.  
 24 OCT 00  
 CHECK  
 RELEASE NO. 201562  
 PAGE 1 OF 1  
 REPLACES

THIS DRAWING COVERS A PROPRIETARY ITEM AND IS THE PROPERTY OF MICRO SWITCH, A DIVISION OF HONEYWELL. THIS DRAWING IS NOT TO BE COPIED OR USED WITHOUT THE APPROVAL OF MICRO SWITCH.

**MICRO SWITCH**  
 a Honeywell Division

**MASS AIRFLOW SENSOR**

CATALOG LISTING  
**AWM43300VH**

ANSI Y14.5M-1982 APPLIES  
 FED. MFG. CODE 91929

THIRD ANGLE PROJECTION

SCALE 2:1

DO NOT SCALE PRINT

UNLESS OTHERWISE SPECIFIED TOLERANCES ARE

ONE PLACE	(.0)	±.030
TWO PLACES	(.00)	±.015
THREE PLACES	(.000)	±.005
ANGLES		±
WEIGHT		