



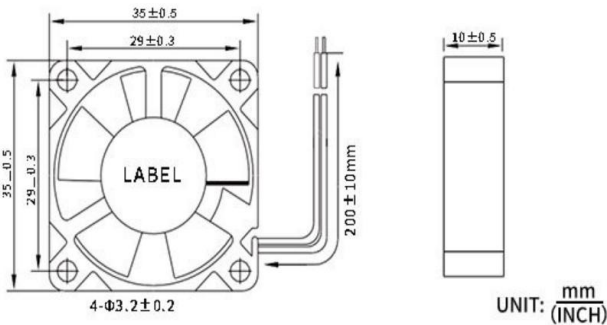
DC BRUSHLESS FAN

AF5D3510S 35*35*10mm

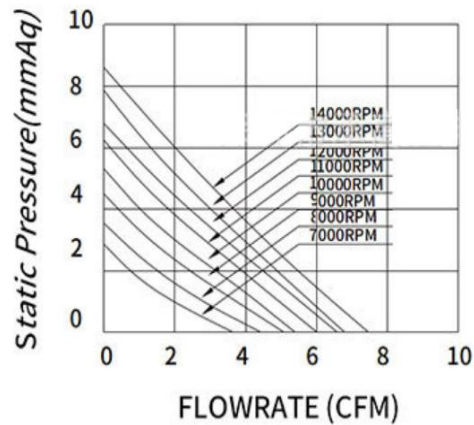
Motor:DC Brushless
 Bearing:Ball、Sleeve、Hydraulic
 Shell frame: PBT UL94V-0
 Fan blade: PBT UL94V-0
 Insulation:Class B
 Wire:AWG#26UL1007 (optional)
 PIN1:BLACK WIRE----(-)
 PIN2:RED WIRE----(+)



DIMENSIONS DRAWING(unit:mm)



P@Q CURVE(AT RATEDVOLTAGE)



Model	Bearing Mode①	Rated Voltage	Operating voltage range	Rated current	Rated input power	Speed	Maximum air Flow		Maximum Air pressure		Noise
		VDC	VDC	Amp	Watt	R. P. M	M3/min	CFM	mmH2O	InH2O	
PART. NO.		VDC	VDC	Amp	Watt	R. P. M	M3/min	CFM	mmH2O	InH2O	dB-A
AF5D3510S05M	B=Ball S=Sleeve H=Hydraulic	5	1.8~6.5	0.1	0.50	5600	0.111	3.24	2.45	0.112	25.6
AF5D3510S05ML		5	1.8~3.6~6.8	0.12	0.60	8000	0.128	4.50	3.51	0.138	31.0
AF5D3510S05H		5	1.8~3.6~6.8	0.13	0.65	9000	0.142	5.00	4.31	0.17	34.4
AF5D3510S05LH		5	1.8~3.6~6.8	0.14	0.70	10000	0.151	5.32	5.12	0.202	37.1
AF5D3510S05HH		5	1.8~3.6~6.8	0.16	0.80	11000	0.171	6.06	6.11	0.241	39.4
AF5D3510S05HL		5	1.8~3.6~6.8	0.18	0.90	12000	0.182	6.39	6.77	0.267	41.0

AF5D3510S05VH	B=Ball S=Sleeve H=Hydraulic	5	1.8~3.6~6.8	0.2	1.00	13000	0.195	6.87	7.97	0.314	42.6
AF5D3510S05HV		5	1.8~3.6~6.8	0.22	1.10	14000	0.211	7.41	8.74	0.344	44.7
AF5D3510S12M		12	7~13.5	0.042	0.50	7000	0.111	3.91	2.84	0.112	28.0
AF5D3510S12ML		12	7~13.5	0.05	0.60	8000	0.128	4.50	3.51	0.138	31.0
AF5D3510S12H		12	7~13.5	0.054	0.65	9000	0.142	5.00	4.31	0.17	34.4
AF5D3510S12LH		12	7~13.5	0.058	0.70	10000	0.151	5.32	5.12	0.202	37.1
AF5D3510S12HH		12	7~13.5	0.067	0.80	11000	0.171	6.06	6.11	0.241	39.4
AF5D3510S12HL		12	7~13.5	0.075	0.90	12000	0.182	6.39	6.77	0.267	41.0
AF5D3510S12VH		12	7~13.5	0.083	1.00	13000	0.195	6.87	7.97	0.314	42.6
AF5D3510S12HV		12	7~13.5	0.092	1.10	14000	0.211	7.41	8.74	0.344	44.7

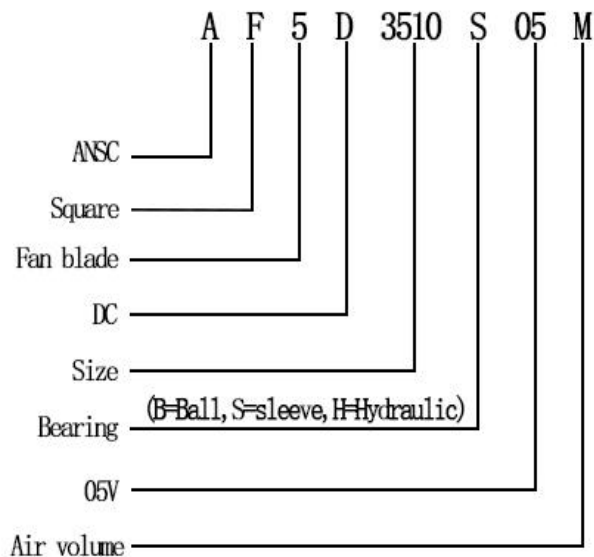
① Bearing Mode: Ball/ Sleeve/ Hydraulic/ Ball (UL)/ Sleeve (UL) Hydraulic (UL)

② X=Function: FG RD RDL LD PWM TP VC RC CS RP SS AS CL IPX5

③ A=Plug

④ C=Customized by customers: Air volume, Air duct, Movement, Service life, Temperature, Noise, Material, Mold. etc.

导引: 编码规则 Code Rule



*PROPRIETARY AND CONFIDENTIAL , THE INFORMATION
CONTAINED IN THIS DRAWING IS THE
SOLE PROPERTY OF <ALL NEW SEMI>.
ANY REPRODUCTION IN PART OR AS A WHOLE WITHOUT THE
WRITTEN PERMISSION OF
<ALL NEW SEMI> IS PROHIBITED.

<https://allnewsemi.com>
<https://allnewsemi.shop>